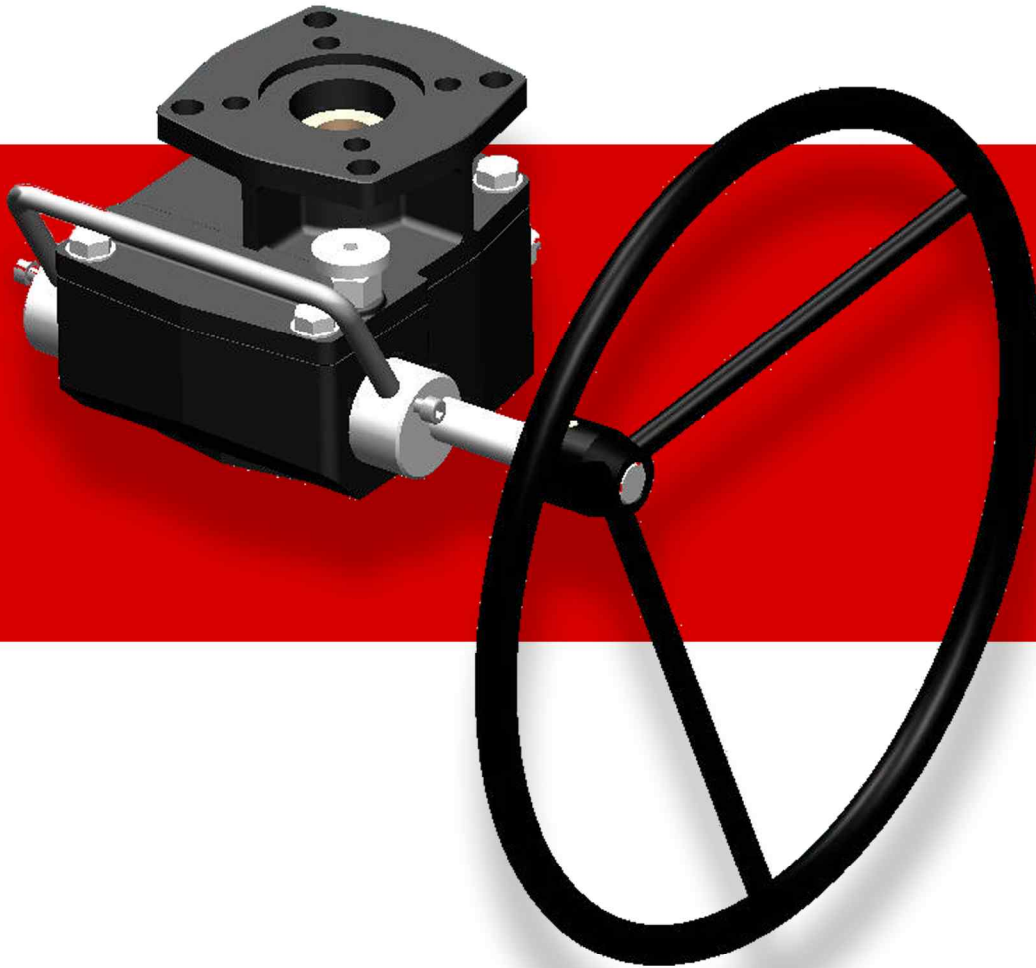




ISO 9001:2008



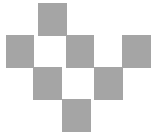
SUSIN I-TORK



**DECLUTCHABLE
GEAR BOX**

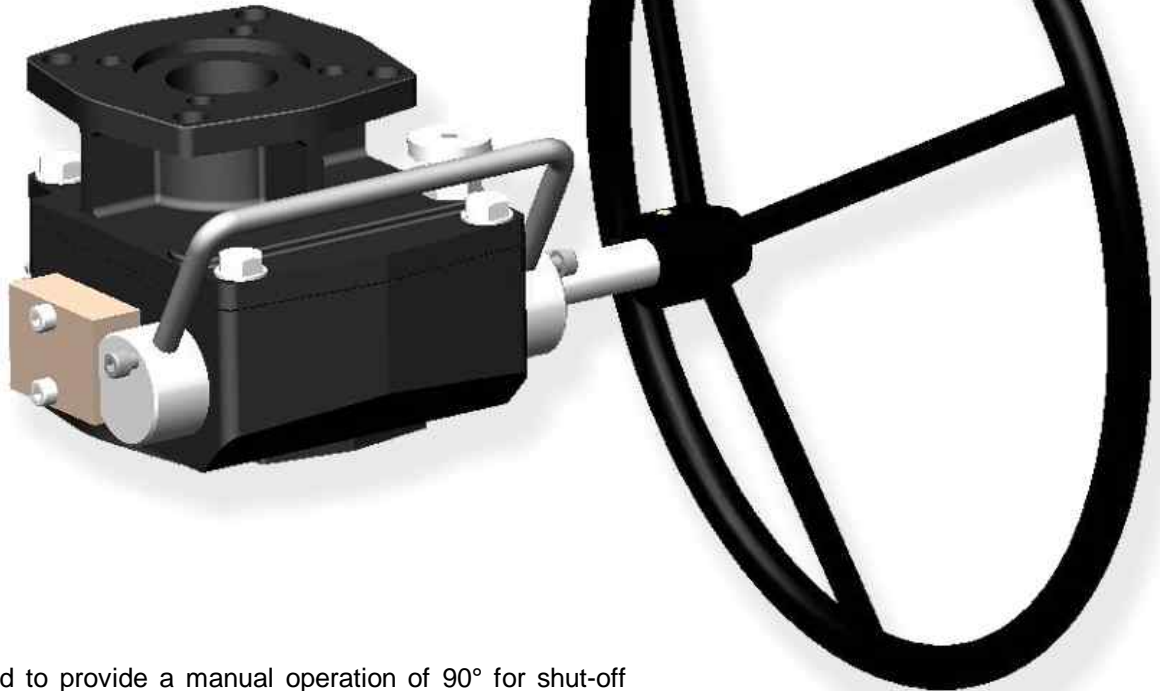
Product Description

ITG050



description

ITG series are rugged, industrial grade manual overrides, manufactured with aluminum housing. All models in this series feature high performance gearings and a powder coated finish.



application

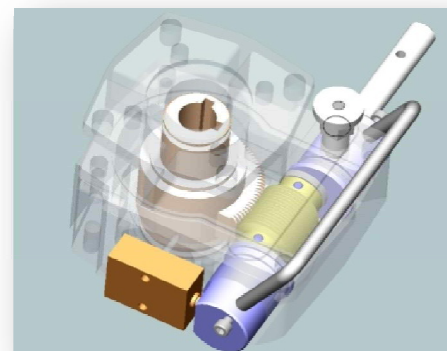
ITG series is designed to provide a manual operation of 90° for shut-off valves & dampers which are equipped with pneumatic actuators.

ITG series provides a declutchable design for use in all industries where a reliable operation of both double acting and spring return pneumatic actuators is required.

All units which are to be mounted between the valve and actuator are supplied with actuator mounting flange for flexible usage. Furthermore, all units can be supplied with plain machineable drive shaft which is connecting the actuator with the valve.

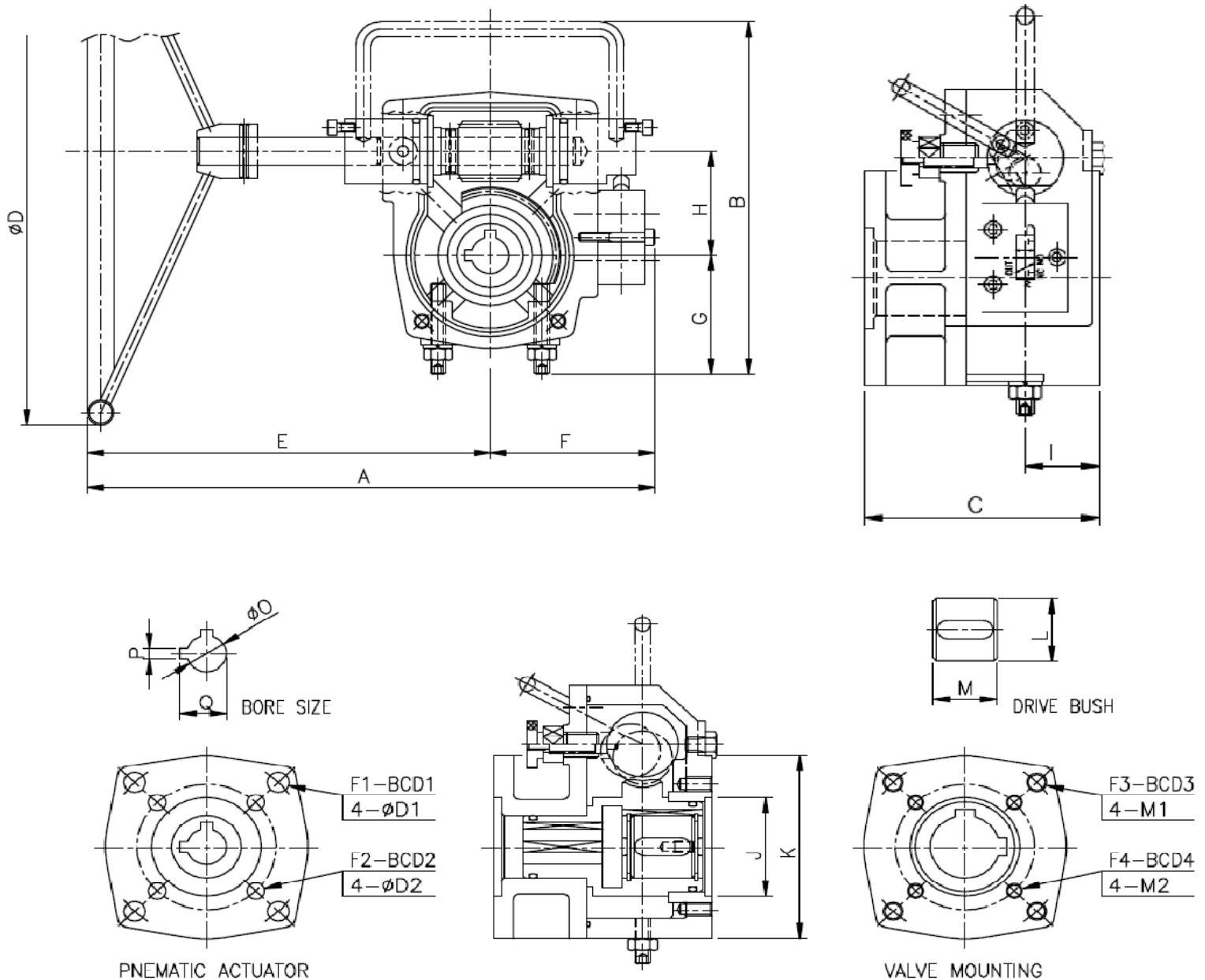
features

- § Cast Aluminum body
- § EN8 gears & internal components
- § Declutchable handwheel
- § Mounting flanges conforming to ISO5211
- § Detachable drive bush

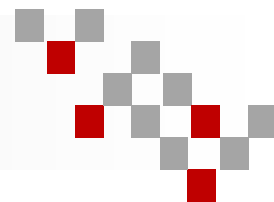


ITG 050

Max. Output Torque	: 500 Nm	Reduction Ratio	: 40:1
Mechanical Advantage	: 12	No. of Handwheel Turns	: 10
Mounting Flange – Actuator Side	: F07 / F10	Mounting Flange – Valve Side	: F07 / F10
Weight	: 4.6 kg	Suitable Actuator Models	: PD 50/70/85 PS50/70/85
Handwheel Diameter	: 300 mm		



A	B	C	$\varnothing D$	E	F	G	H	I	$\varnothing J$	$\varnothing K$	Drive Bush		Bore Size		Mounting Flange		
											$\varnothing L$	M	$\varnothing O$	P	Q	Actuator Side	Valve Side
300	193	115	300	213	87	65	57	35	55	102	35	32	20	6	23.5	F07/F10	F07/F10



Susin I-Tork India (p) Ltd

4/134-B, KNG Pudur Cross, Thadagam Road,
Coimbatore – 641 108, Tamil nadu, India

Phone: 0422 2402935, 2406026

Fax: 0422 2406028

Email: info@susinitork.in

www.susinitork.in

electric actuators | pneumatic actuators | position switches | solenoid valves | positioners